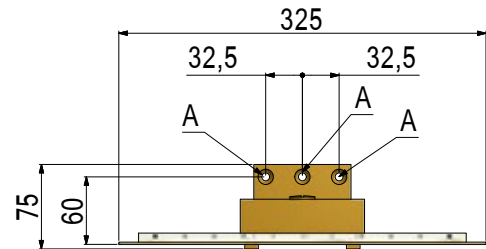
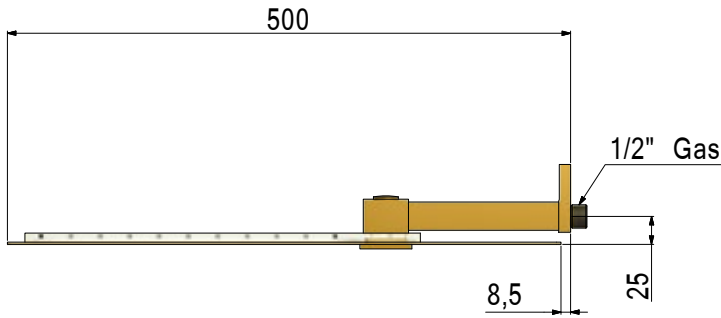


modello brevettato | patented | breveté | patentiert

inox | stainless steel | acier inox | Edelstahl

consumo idrico effetto pioggia: 8 litri/minuto | average flow rate rain effect: 8 liters/minute

consommation effet pluie: 8 L/min | Durchflussmenge Regenbrause: 8 L/min



Soffione anticalcare rettangolare in acciaio inox spazzolato 500x325 mm con fissaggio a muro.

500x325 mm rectangular brushed stainless steel antiscalc shower head with wall fixing device.



Pomme de tête anticalcaire rectangulaire 500x325 mm en acier inox brossé avec fixation au mur.

Rechteckige Kopfbrause Anti-Kalk 500x325 mm aus gebürstet Edelstahl mit Wandbefestigung.

## NOTE | NOTES

*Distanza indicativa soffione - piatto doccia 2200 mm | Approximate distance shower head - shower tray 2200 mm*

*Distance suggérée pomme de tête - receveur de douche 2200 mm | Ungefährer Abstand Kopfbrause - Duschwanne 2200 mm*

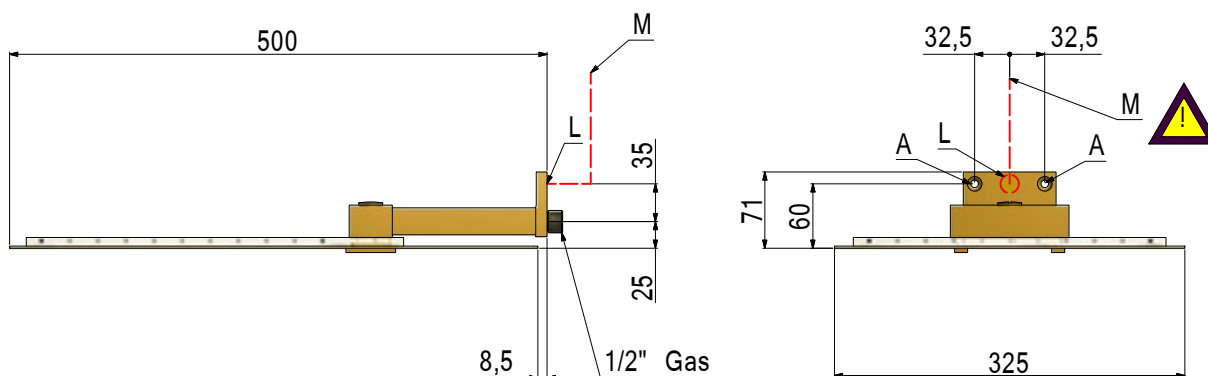
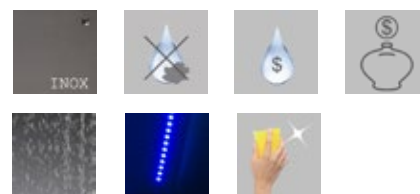
**A** - Tassello - Boss - Cheville - Dübel

modello brevettato | patented | breveté | patentiert

**inox | stainless steel | acier inox | Edelstahl**

consumo idrico effetto pioggia: 8 litri/minuto | average flow rate rain effect: 8 liters/minute

consommation effet pluie: 8 L/min | Durchflussmenge Regenbrause: 8 L/min



Soffione anticalcare rettangolare in acciaio inox spazzolato 500x325 mm con cromoterapia a 6 LED RGB e fissaggio a muro. 500x325 mm rectangular brushed stainless steel antiscalc 6 LED RGB shower head with wall fixing device.



Pomme de tête anticalcaire rectangulaire 500x325 mm à 6 LED RGB en acier inox brossé avec fixation au mur. Rechteckige Kopfbrause Anti-Kalk 500x325 mm 6 LED RGB aus gebürstet Edelstahl mit Wandbefestigung.

### NOTE | NOTES

*Distanza indicativa soffione - piatto doccia 2200 mm | Approximate distance shower head - shower tray 2200 mm*

*Distance suggérée pomme de tête - receveur de douche 2200 mm | Ungefährer Abstand Kopfbrause - Duschwanne 2200 mm*

**A** - Tassello - Boss - Cheville - Dübel

**L** - Uscita cavo LED - LED cable exit - Sortie cable LED - LED Kabelauslass

**M** - Percorso cavo LED, non forare - LED cable direction, do not drill - Direction cable LED, ne pas trouser - Richtung des LED Kabels, nicht bohren

modello brevettato | patented | breveté | patentiert

inox | stainless steel | acier inox | Edelstahl

consumo idrico effetto pioggia: 8 litri/minuto | average flow rate rain effect: 8 liters/minute

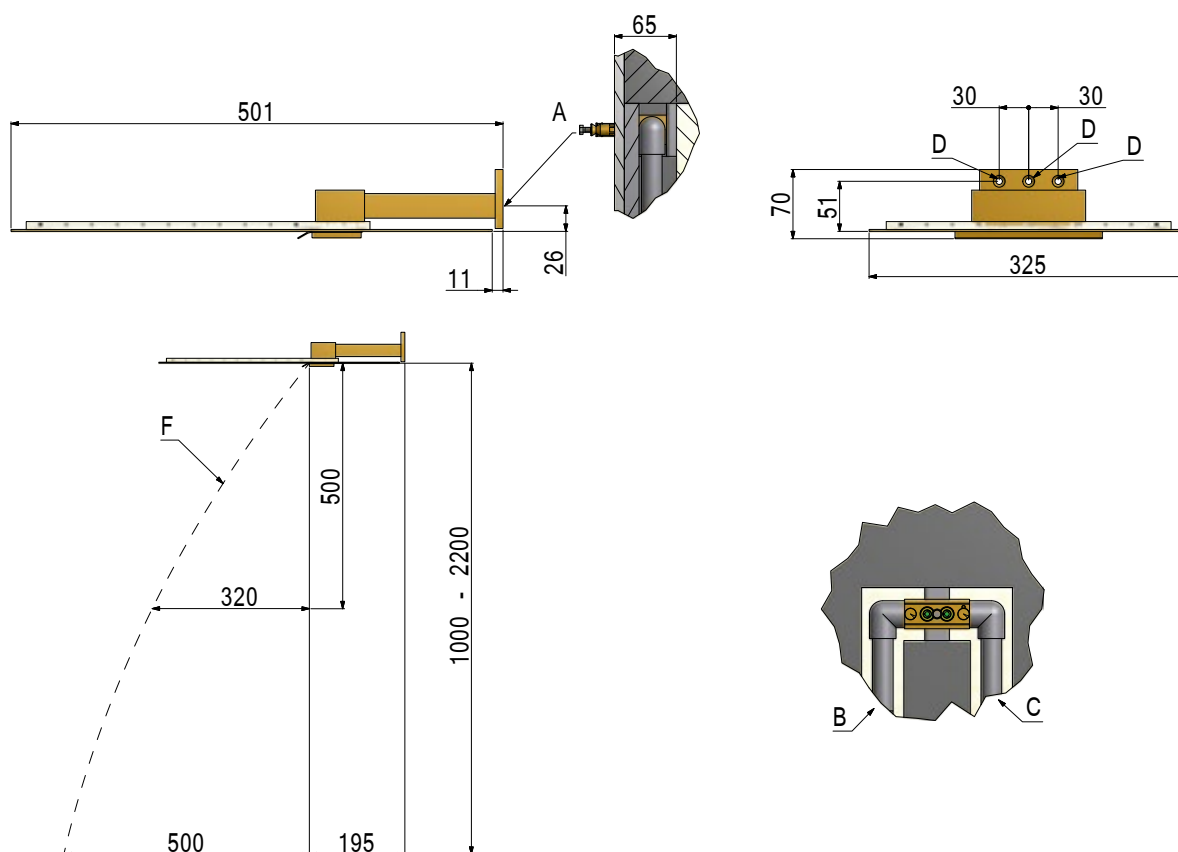
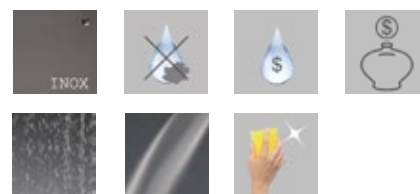
consommation effet pluie: 8 L/min | Durchflussmenge Regenbrause: 8 L/min

consumo idrico cascata: 15 litri/minuto | average flow rate waterfall: 15 liters/minute

consommation cascade: 15 L/min | Durchflussmenge Wasserfall: 15 L/min

pressione minima di esercizio cascata: 1 bar dinamico | waterfall minimum dynamic pressure required: 1 bar (14,5 psi)

pression minimale cascade 1 bar | mindest Druck für Wasserfall aus 1 bar



Soffione anticalcare rettangolare in acciaio inox spazzolato 500x325 mm con cascata e fissaggio a muro.

500x325 mm rectangular brushed stainless steel antiscald shower head with waterfall and wall fixing device.



Pomme de tête anticalcaire rectangulaire 500x325 mm en acier inox brossé avec cascade et fixation au mur.

Rechteckige Kopfbrause Anti-Kalk 500x325 mm aus gebürstet Edelstahl mit Wasserfall und Wandbefestigung.

## NOTE | NOTES

*Distanza indicativa soffione - piatto doccia 2200 mm | Approximate distance shower head - shower tray 2200 mm*

*Distance suggérée pomme de tête - receveur de douche 2200 mm | Ungefährer Abstand Kopfbrause - Duschwanne 2200 mm*

**A** - Raccordo a incasso 9400 - Built-in part 9400 - Corps à encastrer 9400 - Einbaukörper 9400

**B** - Alimentazione pioggia - Rain water supply - Connexion pluie - Regenbrause Anschluss

**C** - Alimentazione cascata - Waterfall water supply - Connexion cascade - Wasserfall Anschluss

**D** - Tassello - Boss - Cheville - Dübel

**F** - Flusso cascata - Waterfall flow - Flux cascade - Wasserfallausfluß

modello brevettato | patented | breveté | patentiert

inox | stainless steel | acier inox | Edelstahl

consumo idrico effetto pioggia: 8 litri/minuto | average flow rate rain effect: 8 liters/minute

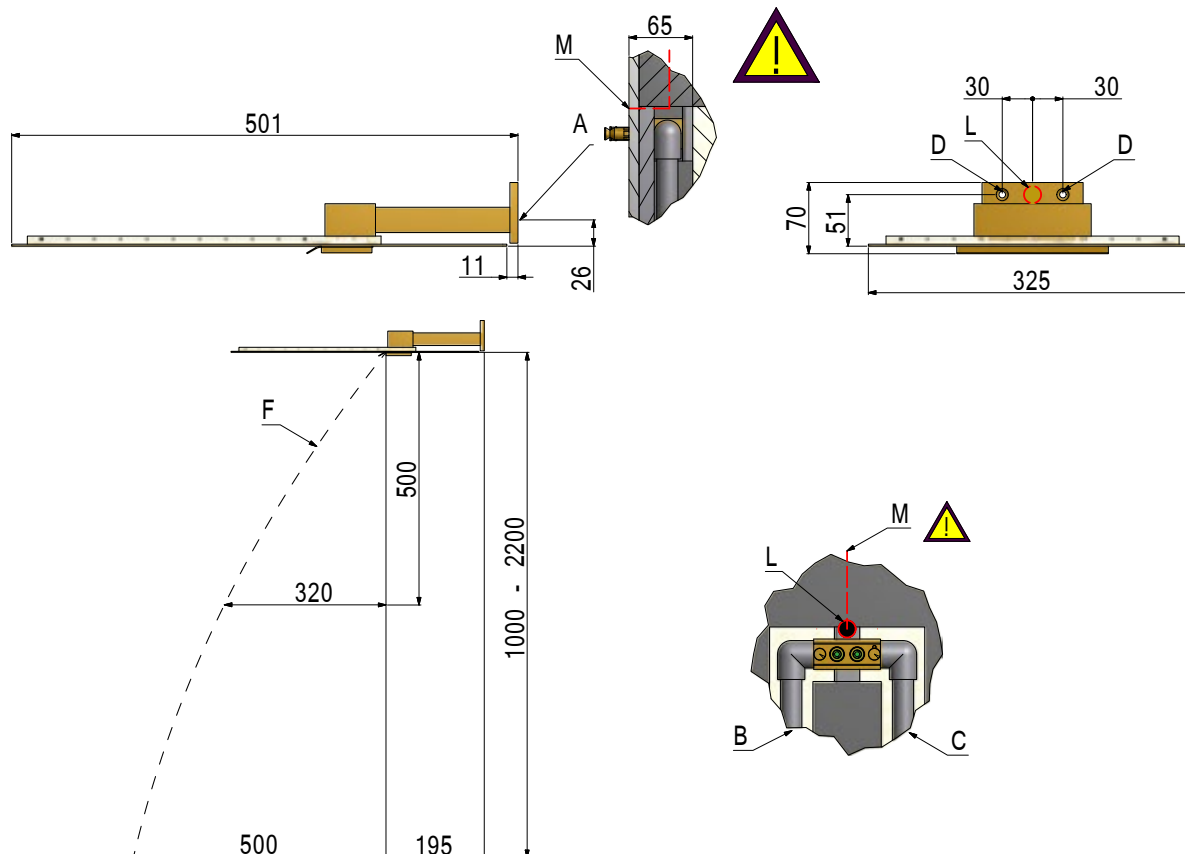
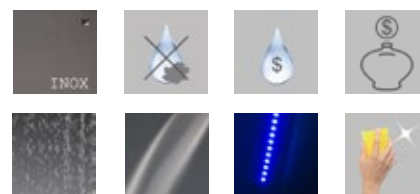
consommation effet pluie: 8 L/min | Durchflussmenge Regenbrause: 8 L/min

consumo idrico cascata: 15 litri/minuto | average flow rate waterfall: 15 liters/minute

consommation cascade: 15 L/min | Durchflussmenge Wasserfall: 15 L/min

pressione minima di esercizio cascata: 1 bar dinamico | waterfall minimum dynamic pressure required: 1 bar (14,5 psi)

pression minimale cascade 1 bar | mindest Druck für Wasserfall aus 1 bar



Soffione anticalcare rettangolare in acciaio inox spazzolato 500x325 mm con cromoterapia a 6 LED RGB, cascata e fissaggio a muro. 500x325 mm rectangular brushed stainless steel antiscalc 6 LED RGB shower head with waterfall and wall fixing device.

Pomme de tête anticalcaire rectangulaire 500x325 mm à 6 LED RGB en acier inox brossé avec cascade et fixation au mur. Rechteckige Kopfbrause Anti-Kalk 500x325 mm 6 LED RGB aus gebürstet Edelstahl mit Wasserfall und Wandbefestigung.



### NOTE | NOTES

*Distanza indicativa soffione - piatto doccia 2200 mm | Approximate distance shower head - shower tray 2200 mm*

*Distance suggérée pomme de tête - receveur de douche 2200 mm | Ungefährer Abstand Kopfbrause - Duschwanne 2200 mm*

**A** - Raccordo a incasso 9400 - Built-in part 9400 - Corps à encastrer 9400 - Einbaukörper 9400

**B** - Alimentazione pioggia - Rain water supply - Connexion pluie - Regenbrause Anschluss

**C** - Alimentazione cascata - Waterfall water supply - Connexion cascade - Wasserfall Anschluss **D** - Tassello - Boss - Cheville - Dübel

**F** - Flusso cascata - Waterfall flow - Flux cascade - Wasserfallausfluß **L** - Uscita cavo LED - LED cable exit - Sortie cable LED - LED Kabelauslass

**M** - Percorso cavo LED, non forare - LED cable direction, do not drill - Direction cable LED, ne pas trouser - Richtung des LED Kabels, nicht bohren